



WinSoft®

Your Test & Measurement Partner

- ▶ Build your Custom Electronic Units in record time
- ▶ Variety of PC104 modules for future expansion
- ▶ Full control of your Custom Electronic Unit via LabVIEW and C++

LX-104™

SDK and Electronic Kit for Controlling Your Custom Electronic Units

LX-104, is a set of fully integrated hardware and software components, providing control and communication for Custom Electronic Units (i.e. RF Switching Box, Data Acquisition Unit).

The **LX-104** kit includes TCP/IP Client drivers for LabVIEW or C/C++ running on your PC.

This Client communicates with TCP/IP Server, running under WinSoft's real-time optimized Linux OS, installed on PC-104 in your Electronic Unit.

WinSoft's real time optimized Linux runs without a Hard Drive, boots from a Compact Flash Card and does not require shutdown (just turn off the power). The Linux SDK is included in the **LX-104** for quick and easy application development.

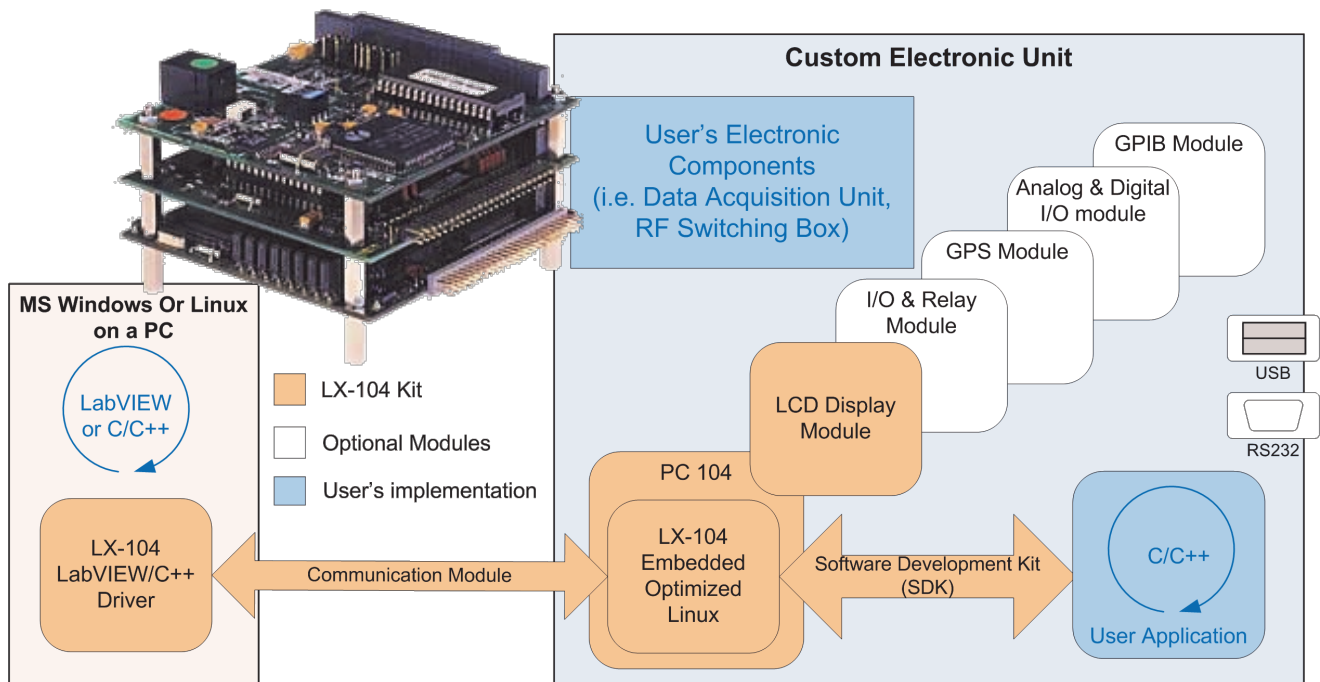
A standard **LX-104** Kit comes with the following components ready to use:

- Embedded optimized Linux OS
- SDK for the PC-104
- LabVIEW and C/C++ drivers
- TCP/IP Client and Server

- PC-104 CPU and Memory
- On board RS232, Parallel and USB

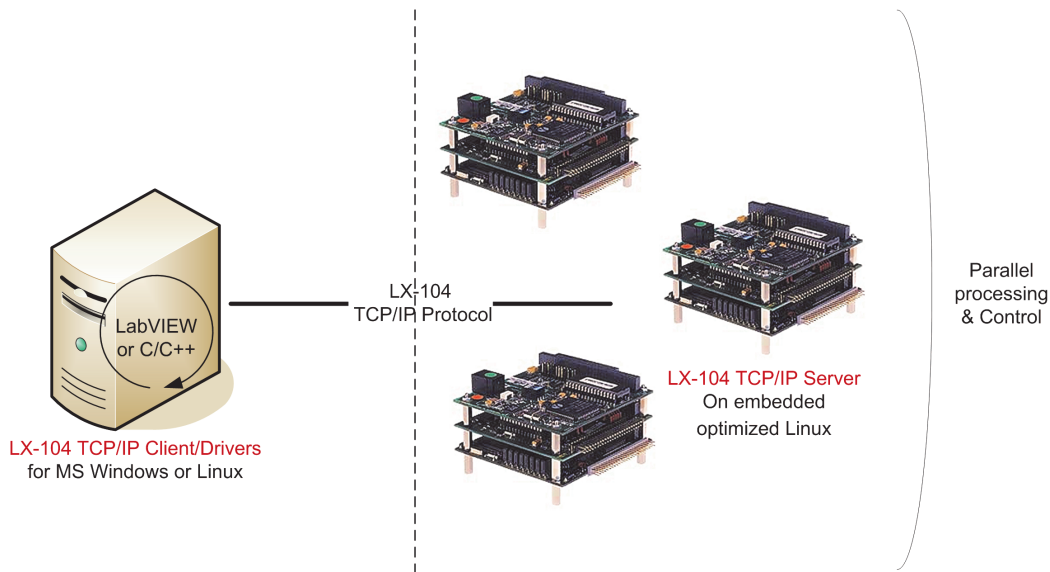
Optional components :

- Serial LCD display and cable
- Relay Board + S/W Driver
- D/A I/O board + S/W Driver
- GPS Board + S/W Driver
- GPIB board + S/W Driver
- Custom 1U/2U/3U chassis with Power Supply
- Front panel with control buttons



The Most Cost-Effective Choice for Controlling Custom Electronic Units

**SMARTER
INVESTING**
Reliable Linux
controlled via
LabVIEW



No matter what your application requirements may be, we take the pain out of designing and implementing the embedded control Software and Hardware.

WinSoft has a high-performance PC-104 based Development Kit ready to fit your total solution. Whether your needs include Data Acquisition systems (DAQ), Ethernet DAQ interfaces, extensive I/O options, GPS related applications, or embedded control hardware and software, we have the products to support you and world-class technical support to get you up and running in record time.

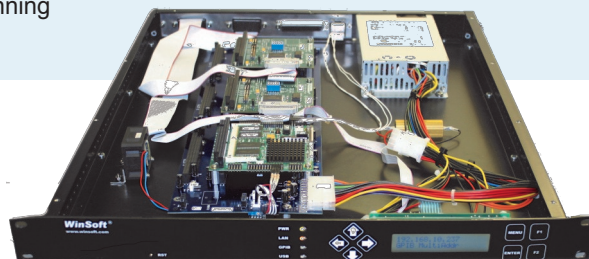
The **LX-104** enables your crucial application to run even if your PC stops or need to reboot. In addition, changes on the PC (new OS, etc) will not affect your Custom Unit application.

LabVIEW programming enables full control of your Electronic Unit over TCP/IP communication.

Our LabVIEW and Linux experts are available to support your development effort to ensure your project success.

The LX-104 SDK includes:

- C++ API for infrastructure modules (TCP/IP Server, Logger, LCD Display module, Front Panel Menu, etc)
- C++ API for application modules
- Make files
- Drivers API for (I/O card drivers, parallel port driver, serial LCD display driver, etc)
- Application code examples
- Web Server (sold separately)



A sample of 1U chassis with a Power Supply, PC104, LCD, and GPIB boards

WinSoft®

1932 E. Deere Ave. Suite 110
Santa Ana, CA 92705
Voice 949-428-4844 x 202
Fax 949-428-4842

1250 Oakmead Pkway, Suite 210,
Sunnyvale, CA 94085
408-501-8865

Email: marketing@winsoft.com
www.winsoft.com



ISO 9001:2008 Certified